



# 1006 & 1007 SERIES FLEXIBLE OUTLINE MARKER LAMP

## FLEXIBLE STALK OUTLINE MARKER

- 12/24V Multivolt
- Highly Durable Flexible Rubber Housing
- IP67 Ingress Protection
- 5 Year Warranty
- Fully ECE Approved
- Current Draw (13.8V / 28V): 0.05A / 0.05A
- Exclusive LED Autolamps Design

**5**  
FIVE YEAR  
WARRANTY

**IP67**  
100%  
WATERPROOF

**R10**  
ECE  
APPROVED



ACTIVE

### FRONT / REAR / SIDE MARKER

- 1007LE** LEFT - Bulk Pack
- 1007RE** RIGHT - Bulk Pack
- 1007LRE2** TWIN PACK - Blister Pack

**R7**  
ECE  
APPROVED

**R91**  
ECE  
APPROVED

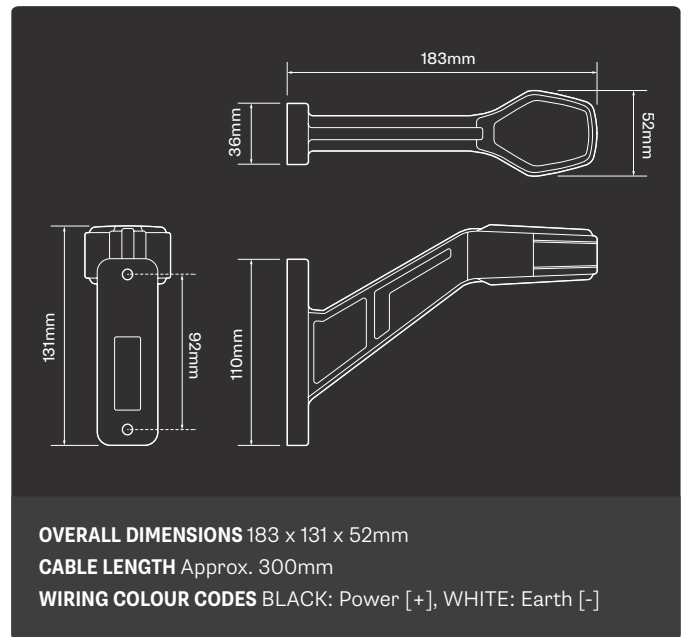


ACTIVE

### FRONT / REAR MARKER

- 1006LE** LEFT - Bulk Pack
- 1006RE** RIGHT - Bulk Pack
- 1006LRE2** TWIN PACK - Blister Pack

**R7**  
ECE  
APPROVED





# 1008 & 1009 SERIES FLEXIBLE OUTLINE MARKER LAMP

## FLEXIBLE SHORT OUTLINE MARKER

- 12/24V Multivolt
- Highly Durable Flexible Rubber Housing
- IP67 Ingress Protection
- 5 Year Warranty
- Fully ECE Approved
- Current Draw (13.8V / 28V): 0.05A / 0.05A
- Exclusive LED Autolamps Design

**5**  
FIVE YEAR  
WARRANTY

**IP67**  
100%  
WATERPROOF

**R10**  
ECE  
APPROVED



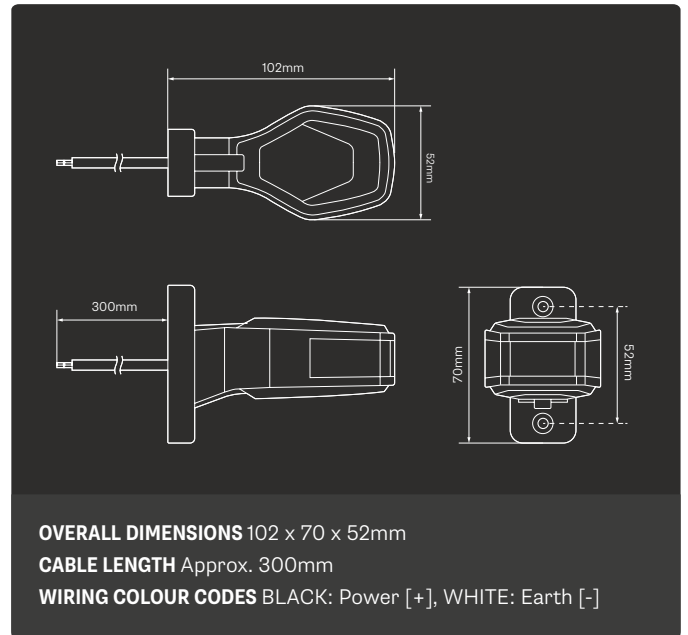
ACTIVE

### FRONT / REAR / SIDE MARKER

- 1009LE** LEFT - Bulk Pack
- 1009RE** RIGHT - Bulk Pack
- 1009LRE** TWIN PACK - Blister Pack

**R7**  
ECE  
APPROVED

**R91**  
ECE  
APPROVED



ACTIVE

### FRONT / REAR MARKER

- 1008LE** LEFT - Bulk Pack
- 1008RE** RIGHT - Bulk Pack
- 1008LRE** TWIN PACK - Blister Pack

**R7**  
ECE  
APPROVED

